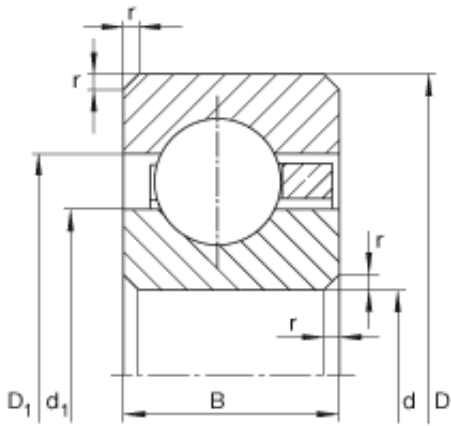




# Baochen Machinery Technology Co., Ltd

10 inch x 266,7 mm x 6,35 mm INA CSCA100 deep groove ball bearings

Bearing No. CSCA100



CSCA100 Bearing 2D drawings and 3D CAD models

Size	254x266.7x6.35 mm
Bore Diameter	254 mm
Outer Diameter	266,7 mm
Width	6,35 mm
d	254 mm
d	10 inch
D	266,7 mm
B	6,35 mm
$D_1$	262 mm
$d_1$	258,7 mm
$r_{min}$	0,6 mm
m	0,23 kg / Weight
$C_r$	5800 N / Dynamic load rating (radial)
$C_{0r}$	12800 N / Static load rating (radial)