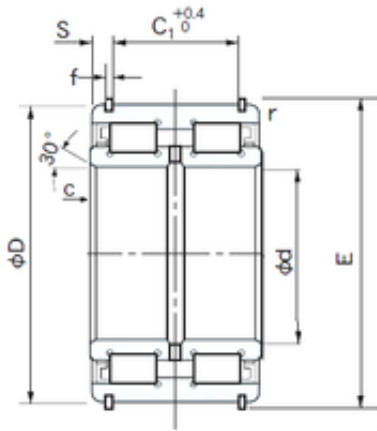




Baochen Machinery Technology Co., Ltd

85 mm x 130 mm x 60 mm NACHI E5017NR cylindrical roller bearings

Bearing No. E5017NR



E5017NR Bearing 2D drawings and 3D CAD models

Size	85x130x60 mm
Bore Diameter	85 mm
Outer Diameter	130 mm
Width	60 mm
d	85 mm
D	130 mm
B	60 mm
C	59 mm
c	2 mm
f	2.5 mm
r min.	0.6 mm
C1	48 mm
E	142.1 mm
S	5.5 mm
Weight	2.80 Kg
Basic dynamic load rating (C)	255 kN
Basic static load rating (C0)	445 kN