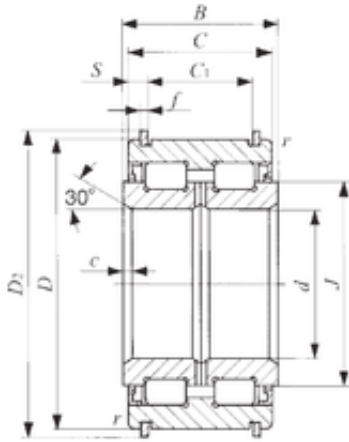




Baochen Machinery Technology Co., Ltd



120 mm x 180 mm x 80 mm IKO NAS 5024ZZNR cylindrical roller bearings

Bearing No. NAS 5024ZZNR

Size	120x180x80 mm
Bore Diameter	120 mm
Outer Diameter	180 mm
Width	80 mm
d	120 mm
D	180 mm
B	80 mm
C	79 mm
c	3 mm
f	3 mm
r min.	1 mm
C1	65 mm
D2	188,4 mm
J	139,5 mm
S	7 mm
Weight	6,95 Kg
Basic dynamic load rating (C)	400 kN
Basic static load rating (C0)	750 kN

NAS 5024ZZNR Bearing 2D drawings and 3D CAD models