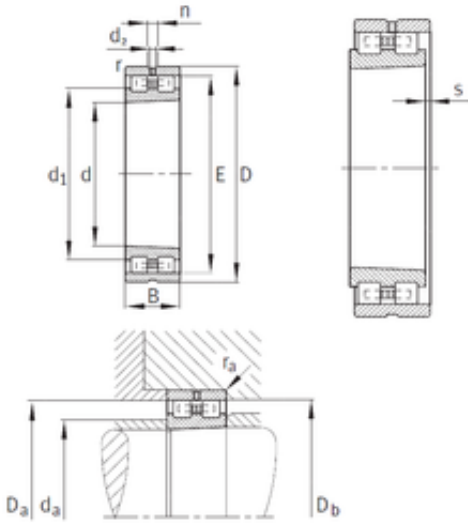




# Baochen Machinery Technology Co., Ltd



## 65 mm x 100 mm x 26 mm INA NN3013-AS-K-M-SP cylindrical roller bearings

Bearing No. NN3013-AS-K-M-SP

Size	65x100x26 mm
Bore Diameter	65 mm
Outer Diameter	100 mm
Width	26 mm
d	65 mm
D	100 mm
E	91 mm
B	26 mm
C	26 mm
n	4,8 mm
d1	78,2 mm
d2	3,2 mm
r min.	1,1 mm
da min.	71 mm
Da max.	94 mm
Db min.	92 mm
ra max.	1 mm
S	1,9 mm
Weight	0,715 Kg
Basic dynamic load rating (C)	76,5 kN
Basic static load rating (C0)	116 kN
(Grease) Lubrication Speed	8 000 r/min
(Oil) Lubrication Speed	9 500 r/min

NN3013-AS-K-M-SP Bearing 2D drawings and 3D CAD models