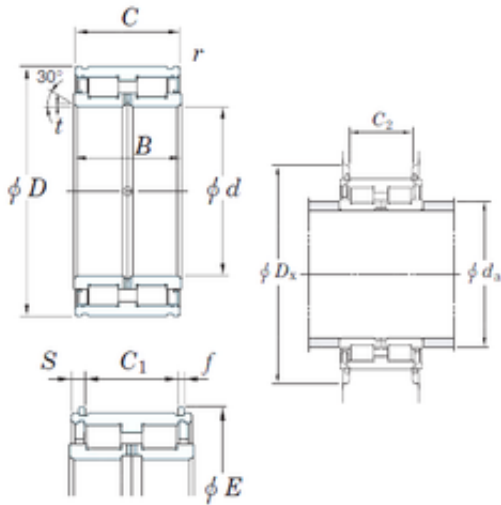




Baochen Machinery Technology Co., Ltd

80 mm x 125 mm x 60 mm KOYO DC5016NR cylindrical roller bearings

Bearing No. DC5016NR



DC5016NR Bearing 2D drawings and 3D CAD models

Size	80x125x60 mm
Bore Diameter	80 mm
Outer Diameter	125 mm
Width	60 mm
d	80 mm
D	125 mm
B	60 mm
C	59 mm
t	1,2 mm
f	2,5 mm
r min.	0,6 mm
C1	48 mm
E	129,5 mm
S	5,5 mm
Ca	48 mm
da min.	88 mm
Da min	146 mm
Weight	2,65 Kg
Basic dynamic load rating (C)	250 kN
Bearing No.	DC5016NR
r(min)	0.6
Cr	250
C0r	429
da(min)	88
Dx(min)	146



Baochen Machinery Technology Co., Ltd

C2	48
(Refer.) Mass(kg)	2.65