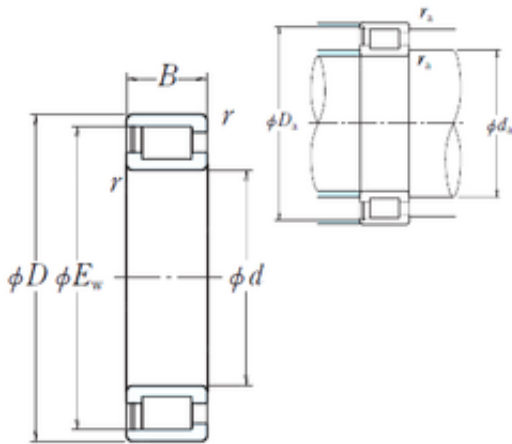




Baochen Machinery Technology Co., Ltd

600 mm x 730 mm x 60 mm NSK NCF18/600V cylindrical roller bearings



Bearing No. NCF18/600V

Size	600x695.5x60 mm
Bore Diameter	600 mm
Outer Diameter	695,5 mm
Width	60 mm
d	600 mm
D	730 mm
Ew	695,5 mm
B	60 mm
C	60 mm
r min.	3 mm
Da	702 mm
ra max.	2,5 mm
da	626 mm
Weight	48,9 Kg
Basic dynamic load rating (C)	1140 kN

NCF18/600V Bearing 2D drawings and 3D CAD models