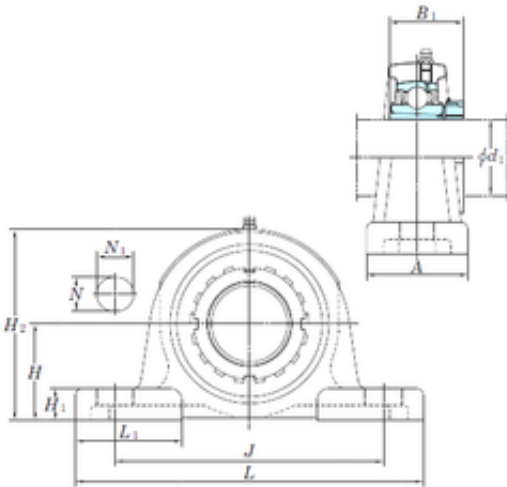




KOYO UKP208 bearing units

Bearing No. UKP208



UKP208 Bearing 2D drawings and 3D CAD models

Bore Diameter	35 mm
Width	49,2 mm
d	35 mm
A	54 mm
B1	36 mm
H	49,2 mm
H1	17 mm
H2	98 mm
J	137 mm
L	184 mm
L1	57 mm
N	17 mm
N1	21 mm
Bolt (G)	M14
Weight	2 Kg
Basic dynamic load rating (C)	29,1 kN
Basic static load rating (C0)	17,8 kN
Bearing No.	UKP208
Bolt size	M14
Cr	29.1
C0r	17.8
f0	14.0
B	36
S	2.0
(Refer.)Unit mass(kg)	1/4-28UNF