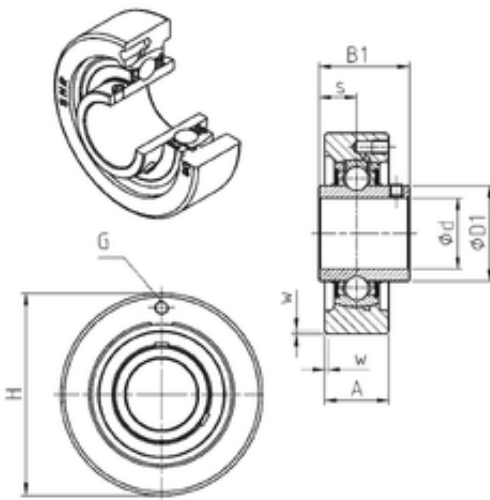




**SNR UCC214 bearing units**

Bearing No. UCC214



UCC214 Bearing 2D drawings and 3D CAD models

Bore Diameter	70 mm
d	70 mm
s	30,2 mm
A	44 mm
B1	74,6 mm
D1	86,5 mm
H	150 mm
W	2 mm
Thread (G)	M6x1
Weight	5,3 Kg
Basic dynamic load rating (C)	62 kN
B	74.6 mm
A3	2 mm
A5	44.4 mm
G	M6x1
s1	37.3 mm
S	30.2 mm
SW	6 mm
C	62 kN
C0	45 kN
T min.	-20 ° C
T max.	100 ° C
Recommended tightening torque for set screw	33 Nm
Designation of housing	C214-
Designation of bearing	UC214G2



# Baochen Machinery Technology Co., Ltd