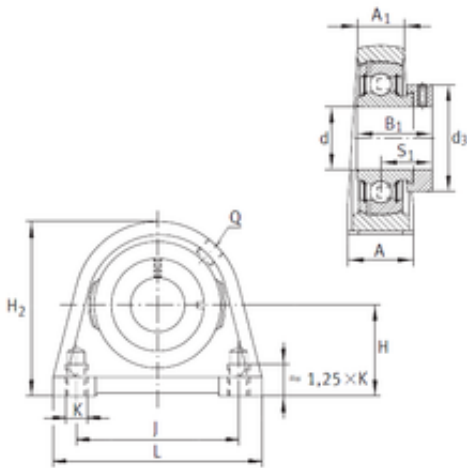




**INA PSHE50-N bearing units**

Bearing No. PSHE50-N



PSHE50-N Bearing 2D drawings and 3D CAD models

Bore Diameter	50 mm
d	50 mm
Thread (Q)	Rp1/8
Thread (K)	M16
d3	69 mm
A	54 mm
A1	34 mm
B1	43,8 mm
H	57,2 mm
H2	115 mm
J	101,6 mm
L	135 mm
S	32,7 mm
Weight	2,79 Kg
Basic dynamic load rating (C)	35 kN
Category	Pillow Block Bearings
Inventory	0.0
Manufacturer Name	SCHAEFFLER GROUP
Minimum Buy Quantity	N/A
Weight / Kilogram	0
EAN	4012802065015
Product Group	M06110
Number of Mounting Holes	2
Mounting Method	Eccentric Collar
Housing Style	2 Bolt Tap Base Pillow Block
Rolling Element	Ball Bearing



## Baochen Machinery Technology Co., Ltd

Housing Material	Cast Iron
Expansion / Non-expansion	Non-expansion
Mounting Bolts	16 Millimeter
Relubricatable	Yes
Insert Part Number	GRAE50NPPB
Seals	Double Lip Contact
Housing Configuration	1 Piece Solid
Inch - Metric	Metric
Other Features	Single Row   With Set Screw
Long Description	2 Bolt Tap Base Pillow Block; 50MM Bore; 57.2MM Base to Center Height; Eccentric Collar Mount; Ball Bearing; Relubricatable; Cast Iron; Double Lip Contact; Non-expansion
Category	Pillow Block
UNSPSC	31171511
Harmonized Tariff Code	8483.20.40.40
Noun	Bearing
Keyword String	Pillow Block
Manufacturer URL	<a href="http://www.ina.com">http://www.ina.com</a>
Manufacturer Item Number	PSHE50N
Weight / LBS	6.152
Bore	1.969 Inch   50 Millimeter
Bolt Spacing Minimum	0 Inch   0Millimeter
Base to Center Height	2.252 Inch   57.2 Millimeter
Actual Bolt Center to Center	4 Inch   102Millimeter
Nominal Bolt Center to Center	4 Inch   101.6 Millimeter
Bolt Spacing Maximum	0 Inch   0Millimeter
Length Thru Bore	1.72 Inch   43.7 Millimeter