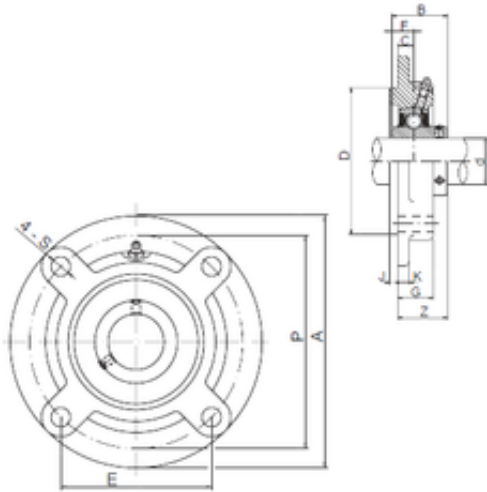




Baochen Machinery Technology Co., Ltd

90 mm x 190 mm x 96 mm ISO UCFC218 bearing units

Bearing No. UCFC218



UCFC218 Bearing 2D drawings and 3D CAD models

Bore Diameter	90 mm
d	90 mm
P	220 mm
Z	78,3 mm
A	265 mm
B	96 mm
C	22 mm
D	190 mm
E	155,5 mm
F	39,7 mm
G	50 mm
J	18 mm
K	20 mm
S	23 mm
Bolt (G)	M20