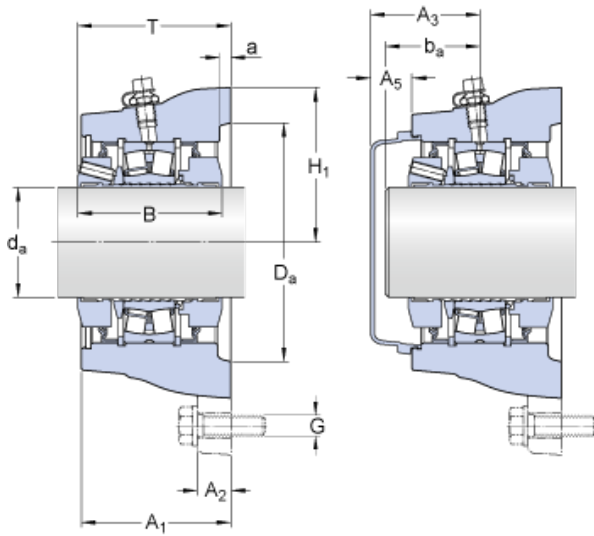




Baochen Machinery Technology Co., Ltd



FYNT 65 F Bearing 2D drawings and 3D CAD models

SKF FYNT 65 F bearing units

Bearing No. FYNT 65 F

Size	65x78x25 mm
Bore Diameter	65 mm
Outer Diameter	78 mm
Width	25 mm
d_a	65 mm
A_1	78 mm
A_2	25 mm
T - max.	80.3 mm
B	72 mm
H	190 mm
H_1	95 mm
J	152 mm
L	190 mm
D_a	150 mm
H	19 mm
a	6 mm
J_5	85 mm
J_6	55 mm
N_4 - max.	8 mm
A_3	73 mm
A_5	35.5 mm
b_a - min.	38 mm
b_a - max.	65 mm
Basic dynamic load rating - C	193 kN



Baochen Machinery Technology Co., Ltd

Basic static load rating - C_0	216 kN
Fatigue load limit - P_u	24 kN
Limiting speed	2700 r/min
Calculation factor - e	0.24
Calculation factor - Y_1	2.8
Calculation factor - Y_2	4.2
Diameter - d_m	92.5 mm
Basic Designation bearing	22213 E
P_a	20 kN
P_1	140 kN
P_2	125 kN
P_3	265 kN
Mass bearing unit	9.3 kg
Category	Mounted Units & Inserts
Inventory	0.0
Manufacturer Name	SKF
Minimum Buy Quantity	N/A
Weight / Kilogram	0
EAN	7316574487639
Product Group	M06288
d_a	65 mm
A_1	78 mm
A_2	25 mm
T max.	80.3 mm
H_1	95 mm
D_a	150 mm
N	19 mm
A_3	73 mm
A_5	35.5 mm
b_a min.	38 mm
b_a max.	65 mm



Baochen Machinery Technology Co., Ltd

J_5	85 mm
J_6	55 mm
N_4 max.	8 mm
Basic dynamic load rating C	193 kN
Basic static load rating C_0	216 kN
Fatigue load limit P_u	24 kN
Calculation factor e	0.24
Calculation factor Y_1	2.8
Calculation factor Y_2	4.2
Bearing mean diameter d_m	92.5 mm
P_1	140 kN
P_2	125 kN
P_3	265 kN
P_a	20 kN
Attachment bolt diameter G	16 mm
Tightening torque for attachment bolts	200 N · m
Grub screws	4 x M 6
Tightening torque for grub screws	8 N · m
Grease quantity for relubrication	7 g