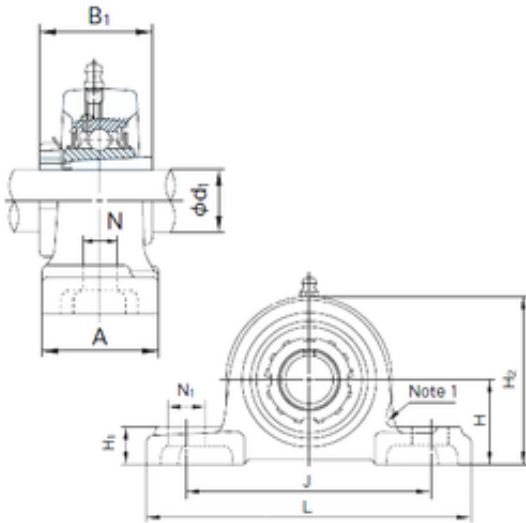




# Baochen Machinery Technology Co., Ltd

## NACHI UKPX18+H2318 bearing units

Bearing No. UKPX18+H2318



UKPX18+H2318 Bearing 2D drawings and 3D CAD models

Bore Diameter	80 mm
Width	101,6 mm
d	80 mm
A	111 mm
B1	86 mm
H	101,6 mm
H1	45 mm
H2	206 mm
J	283 mm
L	381 mm
N	27 mm
N1	60 mm
Bolt (G)	M22