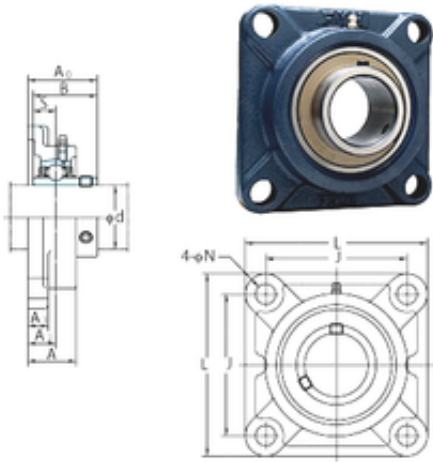




Baochen Machinery Technology Co., Ltd

FYH UCF311-32 bearing units

Bearing No. UCF311-32



UCF311-32 Bearing 2D drawings and 3D CAD models

Bore Diameter	50,8 mm
d	50,8 mm
A0	71 mm
A	52 mm
A1	20 mm
B	66 mm
J	140 mm
L	185 mm
N	23 mm
S	25 mm
Bolt (G)	M20
A2	30 mm
Weight	5,6 Kg
Basic dynamic load rating (C)	71,6 kN
Basic static load rating (C0)	45 kN