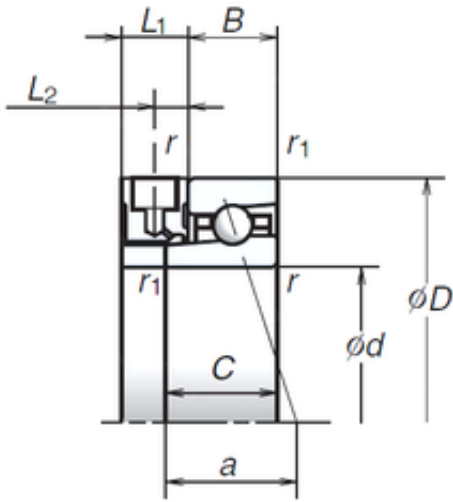




Baochen Machinery Technology Co., Ltd



40 mm x 68 mm x 15 mm NSK 40BER10XE
angular contact ball bearings

Bearing No. 40BER10XE

Size	40x68x15 mm
Bore Diameter	40 mm
Outer Diameter	68 mm
Width	15 mm
d	40 mm
D	68 mm
B	15 mm
C	20 mm
L2	7,5 mm
Angle ()	25 °
a	24,9 mm
r min.	1 mm
r1 min.	0,6 mm
L1	15 mm
Weight	0,217 Kg
Basic dynamic load rating (C)	10,1 kN
Basic static load rating (C0)	7,65 kN
(Grease) Lubrication Speed	55 600 r/min

40BER10XE Bearing 2D drawings and 3D CAD models